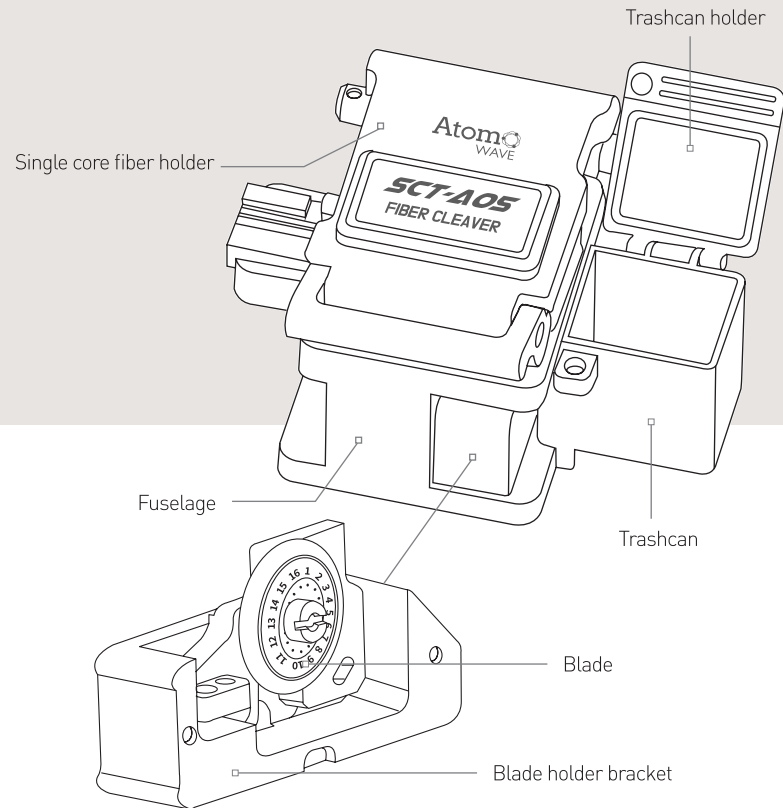


High Precision Cleaver

Structure

SCT-A05



SCT-A05

High Precision Cleaver



++++ Further in Light +++++

www.atomowave.com

AtomO
WAVE

#912, 9Fl, Magok-W Tower, 294, Banghwa-daero,
Gangseo-gu, Seoul, Republic of Korea
Tel +82 220881063 Fax +82 220881064
www.atomowave.com

SCT-A05 is high precision optical fiber cleaver which can support various fiber type (Flat, 250um, 900um, 3mm). Simplified two step cleaving technology gives rapid and accurate cleave angle. Also guaranteed durable blade support 48,000 cleaving.
SCT-A05 fiber cleaver is best model to satisfy maintenance and cost efficiency.

AtomO
WAVE

FEATURES

- + Auto slide back blade support Simple and accurate operation
- + Stable and accurate cleave angle distribution (>0.5)
- + Guaranteed 48,000 cleaving long lifespan Blade
- + Simple drop down Trash can
- + Suitable size and weight for stable working condition
- + Multi holder (Flat, 250um, 900um, 3mm) support various cleaving process



SPECIFICATIONS

Applicable optical fiber	Silica optical fiber
Fiber count	single
Cladding diameter	125 μm
Cleaving length	5 mm to 20 mm (coating diameter=250 μm)
Coating diameter	0.16 to 0.9mm, 2 to 3 mm cord and drop cable
Cleaving angle	0.5°
Blade life	48,000 fibers (1,000 fibers × 16 positions × 3 height)
Dimensions/Weight	65W×75D×65H (mm) / 350g
Operation condition	0 to 95% RH and -20 to 50°C (non-dew)



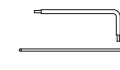
PACKAGE



SCT-A05



Trashcan



Wrench



hardcase



Pouch